

3

2 ↓

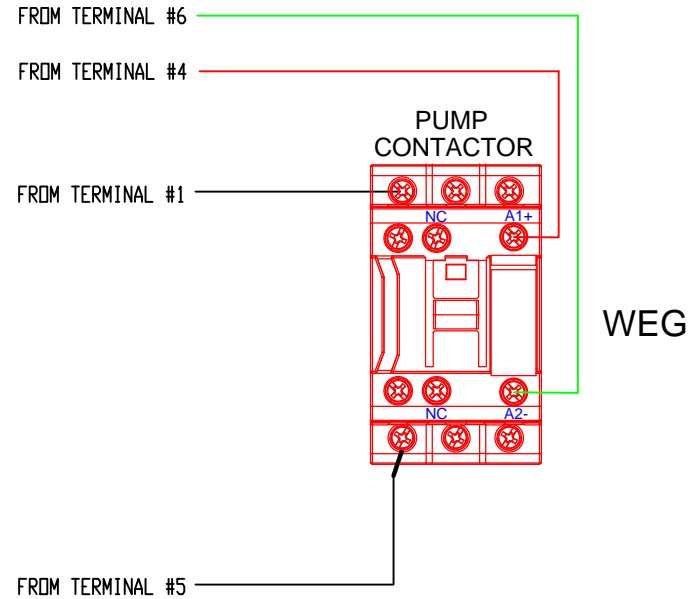
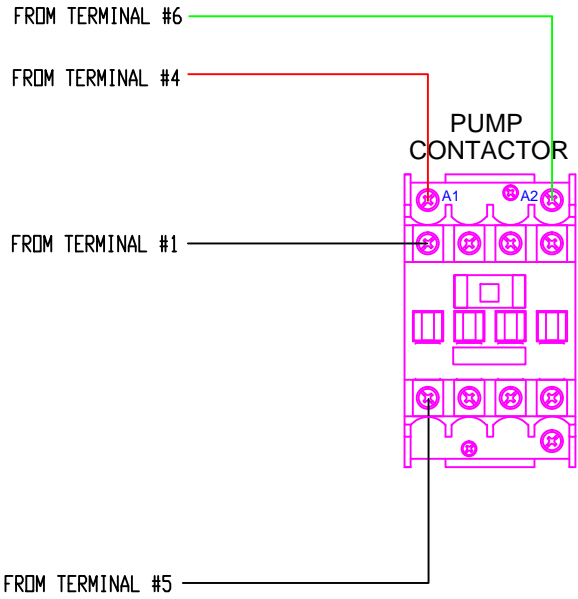
1

B

B

PREVIOUS

NEW



A

A

3

2 ↑

1

AXIALL -CONTACTOR MANUFACTURER CHANGE
 WIRE TERMINATIONS FOR PREVIOUS AND NEW CONTACTOR



DRAWN: SEH DATE: 9/9/2015

SCALE:
 WEG CONTACTOR

REV
 0